

AUZAC ORIGINAL

SAMURAI LIFTING PRODUCTS



NOBUNAGA

HIDEYOSHI



IEYASU

PRE-TENSION SLING

信長の腕



PRE-TENSION SLING

秀吉の腕



LIFTING BEAM WLL 1t 2t 3t 5t

家康の腕

オーザック [軽量] 吊り天秤



INNOVATIVE

"SAMURAI" sling!

We have named them after warlords, hoping that they will be powerful and make great strides. Oda Nobunaga, Toyotomi Hideyoshi, and Tokugawa Ieyasu are three of the most famous warlords in Japan.

I hope you, too, will take a leap forward with our hanging equipment!

AUZAC CO.,LTD.

26-229, Tomochoushiji, Fukuyama-shi, Hiroshima, Japan

mail:info@auzac.jp

HP:https://www.auzac.jp/en/

 **AUZAC**
AUZAC CO.,LTD.



Safety • Reliability

- Each of the hooks can be set safely and reliably because the hooks do not come off owing to their own weight and imbalance.
- You can easily perform hoisting work by yourself.
- When lifted items are connected to ground, the hooks do not easily come off because of the slack of chains.
- As the winding parts of chains are differently colored, you do not need to worry about getting your hands caught.

Rationality • Reasonability

- You can lift items smoothly because tensile strength is not suddenly applied owing to spring action when hoisting a grounded load.
- As you can work quickly and surely, the operation time will be shortened.
- As the the entrance width of the hook is wide, it can correspond to various objects.
- You will be liberated from troublesomeness because it is possible to work by one hand.

High Strength • Abrasion Resistance

- There are few breakdowns and the maintenance is easy because the structure is simple.
- The light weight and the highest strength of this product have been achieved by using special alloy as materials.
- It is excellent in abrasion resistance because heat treatment is applied under stringent control.

JUST PULL IT AND SET IT.

Suspended loads are hold by the simple method safely and reliably.



In the case of conventional products when one was set, the other was not set.



You can easily and firmly set this pre-tension sling with one hand.



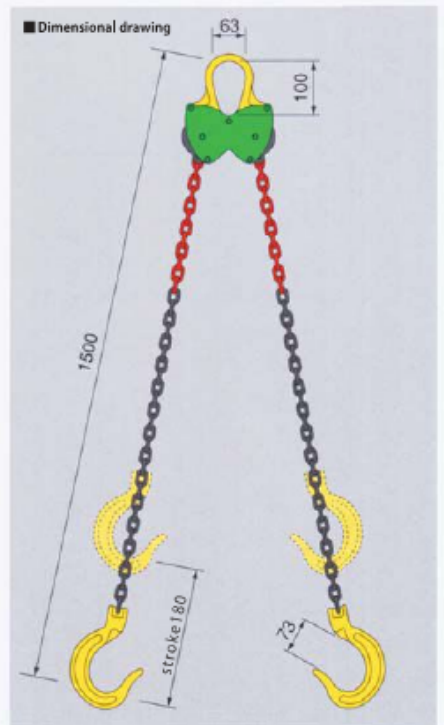
In the case of conventional products, they were not able to be set on the both sides by one worker.



You can easily handle it by yourself because the hook of pre-tension sling lengthens.

■ Specification of product

Specification load ● 10kg~2.5ton	Breaking force ● 12.5ton
Stroke ● 180mm	Product load ● About 7.5kg



■ Option

- Hook...fastening plate ...coming off
 - Length change in chain
- Please read the manual before using this product.

Safety • Reliability

- Each of the hooks can be set safely and reliably because the hooks do not come off owing to their own weight and imbalance.
- You can easily perform hoisting work by yourself.
- When lifted items are connected to ground, the hooks do not easily come off because of the slack of chains.
- As the winding parts of chains are differently colored, you do not need to worry about getting your hands caught.

Rationality • Reasonability

- You can lift items smoothly because tensile strength is not suddenly applied owing to spring action when hoisting a grounded load.
- As you can work quickly and surely, the operation time will be shortened.
- As the the entrance width of the hook is wide, it can correspond to various objects.
- You will be liberated from troublesomeness because it is possible to work by one hand.

High Strength • Abrasion Resistance

- There are few breakdowns and the maintenance is easy because the structure is simple.
- The light weight and the highest strength of this product have been achieved by using special alloy as materials.
- It is excellent in abrasion resistance because heat treatment is applied under stringent control.

Easy!! Safe and Secure lifting!!

Products specs

Working Load : 10kg-2.5ton
Stroke(telescopic) 180mm

Breaking Load : 12.5ton
Own weight 12kg

four-point suspension



four-point suspension



four-point suspension



two-point suspension



two-point suspension



two-point suspension





IEYASU'S ARMS

"Super" light! "Compact" size!

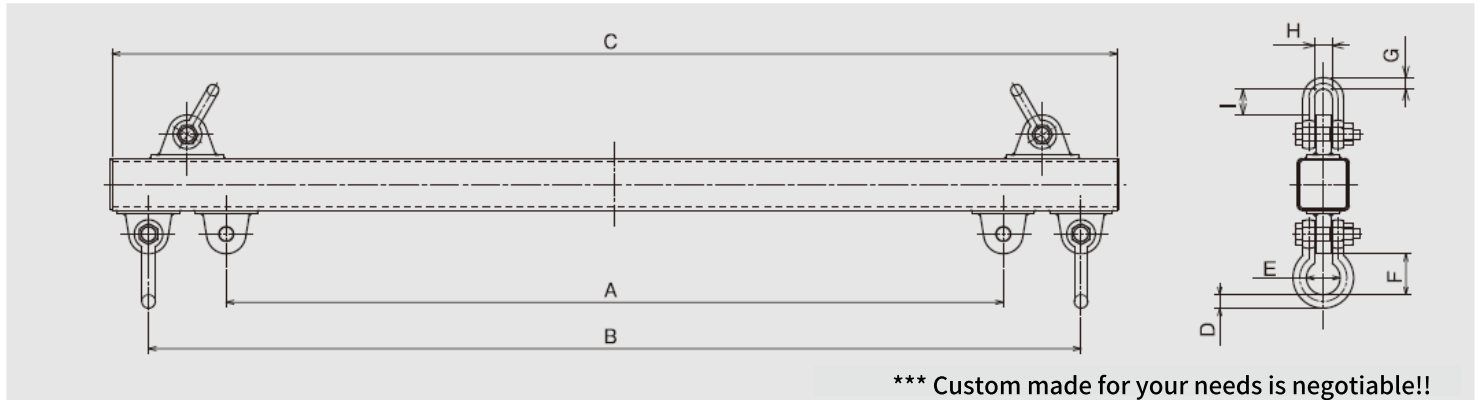
Nice solution for you.

Product dimension and specs

working load	A (mm)	B (mm)	C (mm)	D (mm)	E (mm)	F (mm)	G (mm)	H (mm)	I (mm)	own weight (kg)
1t	800	1,000	1,060	12	30	36	10	17	22	5
2t	1,000	1,200	1,270	16	40	49	14	24	33	10
3t	1,200	1,500	1,600	21	53	65	18	29	42	20
5t	1,500	1,800	1,940	26	65	79	22	34	50	36

Shackle

upper	lower
SB-10	BB-10
SB-14	BB-14
SB-18	BB-18
SB-22	BB-22

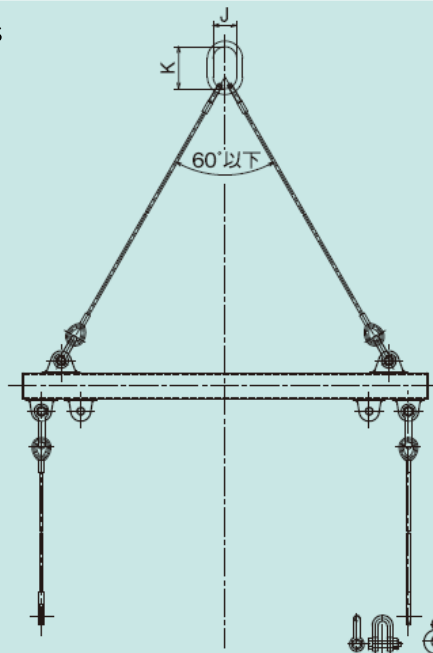


*** Custom made for your needs is negotiable!!

Recommended parts

Dimension

working load	J (mm)	K (mm)
1t	60	110
2t	60	110
3t	75	135
5t	90	160



working load	lifting points	upper wire rope	lower wire rope
1t	2 points	9mm	9mm
	4 points	9mm	8mm
2t	2 points	14mm	14mm
	4 points	14mm	12mm
3t	2 points	16mm	16mm
	4 points	16mm	14mm
5t	2 points	20mm	20mm
	4 points	20mm	18mm

***Wire rope is 6×24 thimble processed and lock stopper is used.