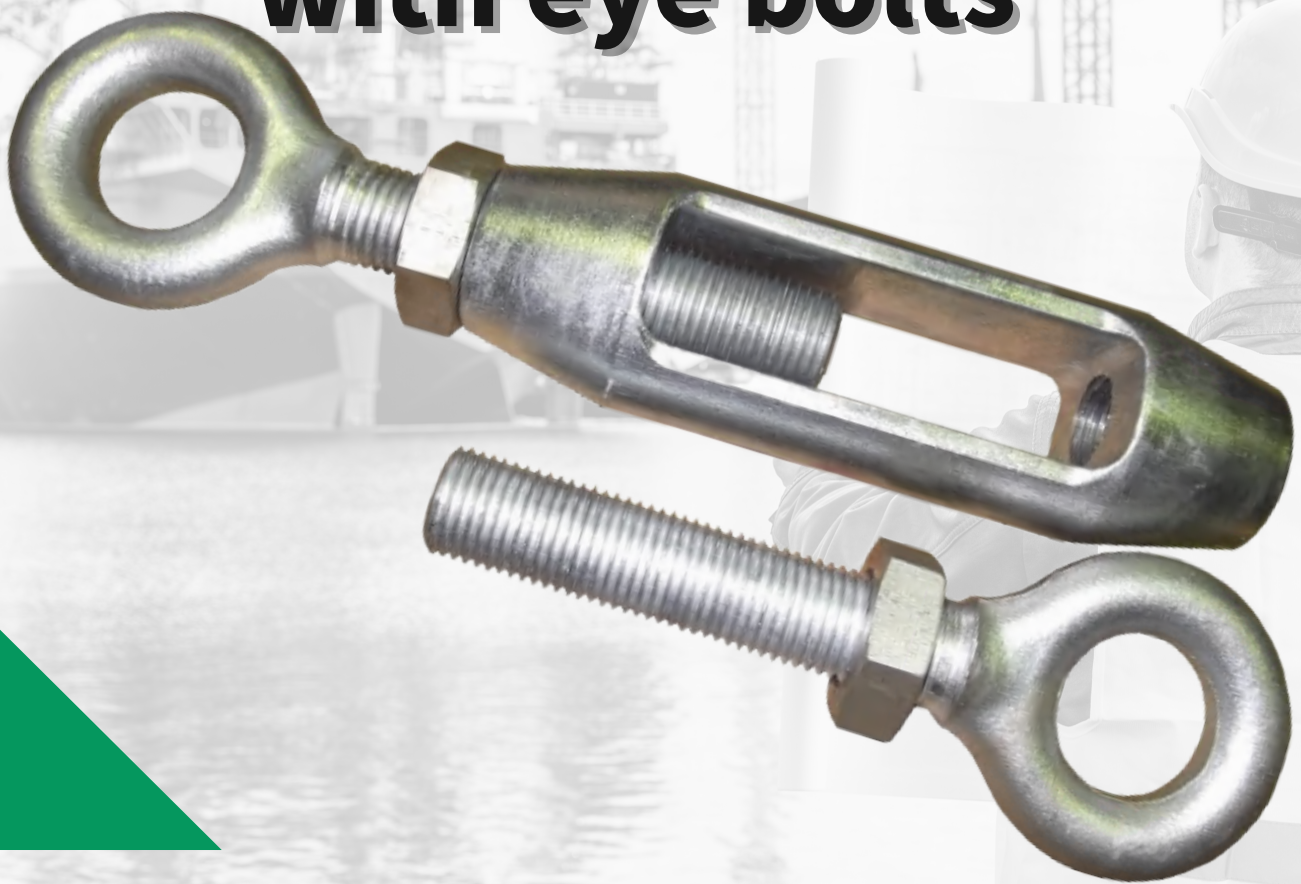


JIS F7020

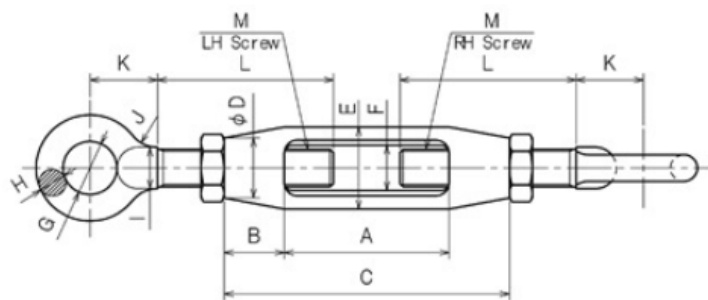
Shipbuilding- Turnbuckles with eye bolts



It consists of an eyebolt and a frame, and the threaded part is metric thread.

There are 10 sizes from M6 to M48, and the maximum allowable load is 600N to 48000N.

We have sizes 10, 12, 16, 20, 24, and 30 in stock, and sizes 36, 42, and 48 are made to order.



Size	A	B	C	D	E	F	G	H	I	J	K	L	M	W.L.L. (kN)	Calculation mass (kg)
10	70	15	100	17	24	13	12	6	11	8	15	60	M10	1.667	0.249
12	80	20	120	21	30	16	16	8	14	10	20	72	M12	2.452	0.483
16	92	24	140	26	36	20	20	10	18	12	25	85	M16	4.609	0.897
20	104	28	160	32	44	23	24	12	21	15	30	98	M20	7.649	1.540
24	124	38	200	41	55	30	34	17	28	22	43	122	M24	13.729	3.380
30	134	43	220	46	65	34	40	19	31	25	48	135	M30	18.633	4.790

AUZAC CO.,LTD.

26-229, Tomochoushiroji, Fukuyama-shi, Hiroshima, Japan

mail:info@auzac.jp

HP:https://www.auzac.jp/en/

