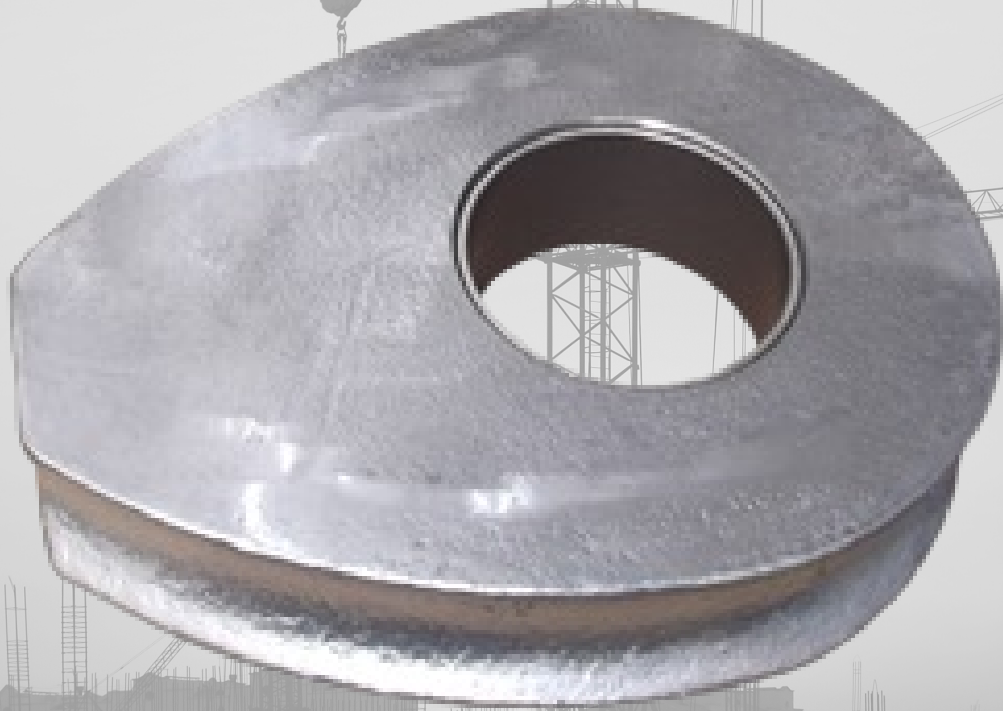


JIS B2802

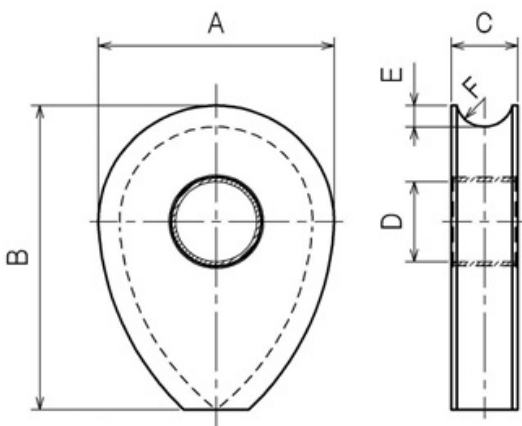
SOLID THIMBLE WITH BUSH



Dimension "D" is the inside diameters of steel bush.

Material : FCD450

Surface Treatment : Hot Dip Galvanizing



		(mm)					
SIZE	Wire Rope Diameter	A	B	C	D	E	F
28	24 or 25	120	156	33	45	12	15
30	26	130	166	35	45	13	16
32	28	140	180	38	45	15	17
34	31.5	145	186	40	50	14	18
36	32 or 33.5	150	196	42	50	14	19
38	33.5	160	215	43	70	13	20
45	33.5 or 40	190	242	52	70	20	23

AUZAC CO.,LTD.

26-229, Tomochoushiroji, Fukuyama-shi, Hiroshima, Japan

mail:info@auzac.jp

HP:<https://www.auzac.jp/en/>